



Quiet Security

Stealth Patrol™ Room Monitor and Alert System

Plug-in Security for Your Whole House or Business

T
E
E
S
H
C
E
P
S



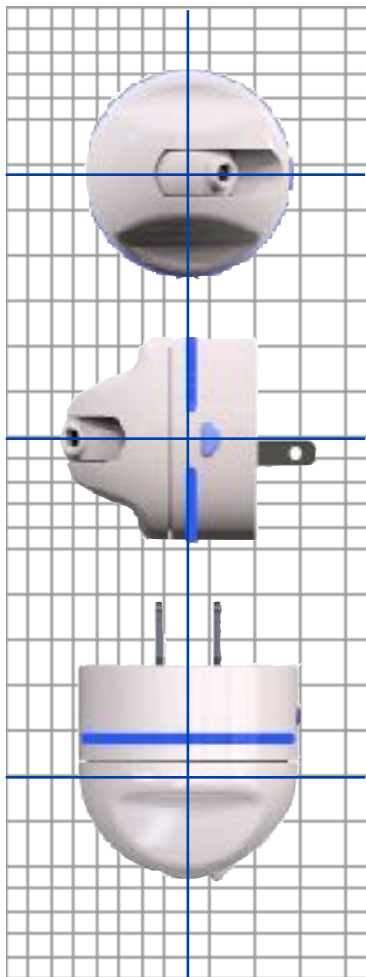
The Stealth Patrol Private Eye Wall Unit emits an invisible ultrasonic beam that creates a “cloud” of protection within a room.

When this cloud of ultrasonic waves is disturbed by a large object moving through its space (such as a person), it sends out an encrypted alert signal to the Stealth Patrol Base Station.

The Stealth Patrol Base Station can monitor multiple Stealth Patrol Private Eye Wall Units at the same time. The Base Station sounds an alert whenever any Wall Unit detects movement within its range.

A simple pushbutton switch lets you set up and test each Wall Unit to provide maximum protection for your area.

- *Simple plug-in design*
- *Easily adjustable zones*
- *Portable—move units wherever and whenever you need them*
- *Use multiple Wall Units to create multiple zones*



The Stealth Patrol Base Station continually monitors all the Stealth Patrol Private Eye Wall Units in use, and sounds an alert when motion is detected.

The Stealth Control Base Station also comes with software (Win and Mac) to connect it to your computer.

The software can send email and text alerts when a Wall Unit detects motion. It can also keep a log of all alerts when you are away.



Combine two units on one wall receptacle to define more than one zone within a space.

Use as many Wall Units as needed to protect your whole house or business.